

Modell der Dampflokomotive

90463

Safety Notes

- This model may only be used with the operating system designed for it.
- Use only switched mode power supply units and transformers that are designed for your local power system.
- This locomotive must never be supplied with power from more than one power pack.
- Pay close attention to the safety notes in the instructions for your operating system.
- Not for children under the age of 15.
- **WARNING!** Sharp edges and points required for operation.

Important Notes

- The operating instructions are a component part of the product and must therefore be kept in a safe place as well as included with the product, if the latter is given to someone else.
- The warranty card included with this product specifies the warranty conditions.
- Please see your authorized LGB dealer for repairs or spare parts.
- Disposing: www.maerklin.com/en/imprint.html

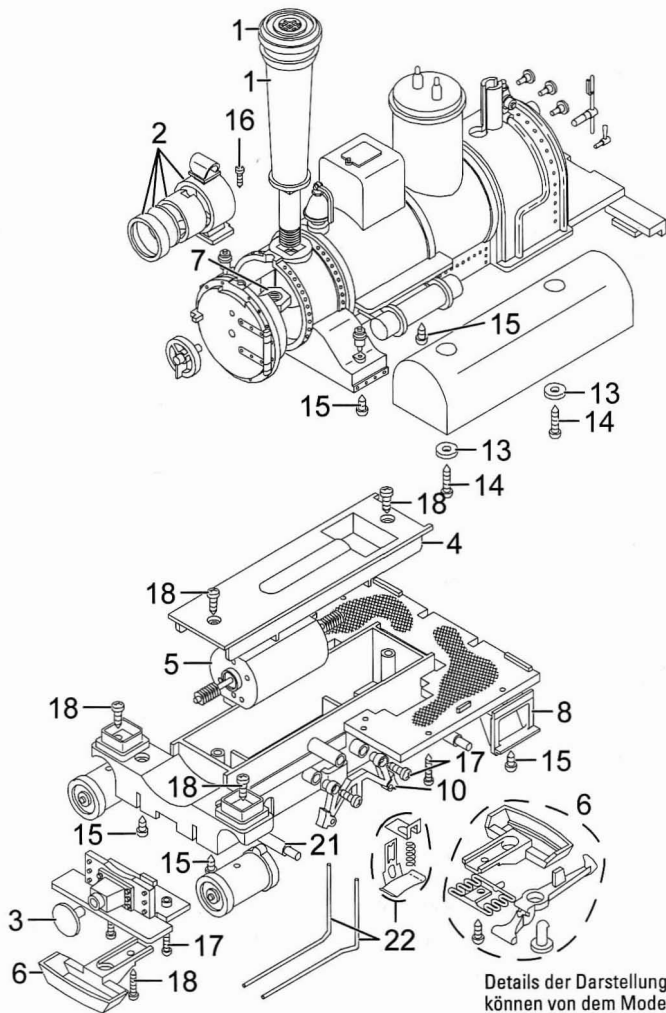
Functions

- This model is designed for operation on LGB two-rail DC systems with conventional LGB DC train controllers or power packs (DC, 0 - 24 volts).

Note: Use a locomotive controller with more than 1 amp of train current for this model.

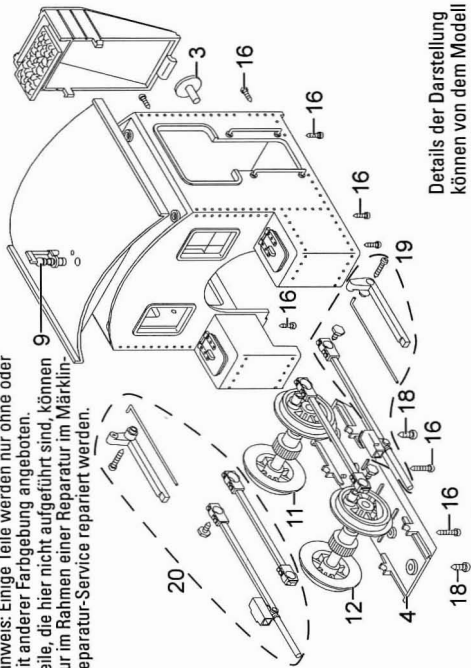
Lubrication

The axle bearings and the side rod bearings should be lubricated occasionally with a small amount of Märklin-Oil (7149).



Details der Darstellung
 können von dem Modell
 abweichen.

Hinweis: Einige Teile werden nur ohne oder mit anderer Farbgebung angeboten. Teile, die hier nicht aufgeführt sind, können nur im Rahmen einer Reparatur im Märklin-Reparatur-Service repariert werden.



Details der Darstellung können von dem Modell abweichen.

1	Schornstein	E204 654
2	Stirnlampe	E204 655
3	Puffer	E184 613
4	Deckel, Boden	E204 882
5	Motor	E134 719
6	Kupplung	E171 327
7	Sechskantmutter	E129 249
8	Tritte	E191 685
9	Glocke, Pfeife	E204 883
10	Bremsbacke	E191 696
11	Radsatz	E191 703
12	Radsatz	E191 700
13	Beilagscheibe	E124 208
14	Schraube	E124 205
15	Schraube	E124 014
16	Schraube	E124 010
17	Schraube	E124 206
18	Schraube	E124 197
19	Gestänge links	E193 524
20	Gestänge rechts	E193 523
21	Schleifschuhe u.Kohle	E177 545
22	Kontaktdrähte, Blech	E193 526
	Kuhfänger	E204 886

Bausteinwagen	
Puffer	E135 004
Drehgest. o.Haken	E135 026
Drehgest. m.Haken	E135 031
Kupplung	E171 327
Speichenradsatz	67 301
Schraube, 3,0 x 6,5	E124 014
Schraube, 2,2 x 4,5	E129 265